

C-1500N

CHEM-FEED® Diaphragm Metering Pump



Features

- > All ball bearing, permanently lubricated gear motor
- > Standard Models feature a mechanical stroke length control
- > Efficient design allows for a minimum stroke length of 5%
- > Deluxe Models feature stroke length and electronic time Interval control
- > The pump's on time is adjustable from 5-100%



Highlights

Flow range

.2 - 9.5 GPH
.5 - 36 LPH

Pressures

125 PSI
(8.6 bar)

Turndown ratio

20 : 1

Max. suction lift

10 ft. Water 0 psig

Motor

AC Shaded
Pole

Warranty

2 Years

Control Methods

Control Methods	Manual Control	On/Off Switch	Proportional Feed System
C-1500N	•	•	•



Max. working pressure:	125 psig (8.6 bar)
Max. fluid temperature:	130° F (54° C)
Max. Ambient temperature:	14 to 110° F/ -10 to 43° C
Maximum viscosity:	1,000 Centipoise
Maximum suction lift:	10 ft. Water at sea level (0 psi)
Operating Voltage:	115VAC/60Hz, 1ph (.74 Amp Maximum)
	230VAC/60Hz, 1ph (.36 Amp Maximum)
	220VAC/50Hz, 1ph (.31 Amp Maximum)
	240VAC/50Hz, 1ph (3.4 Amp Maximum)
Power Cord Options:	115V60Hz = NEMA 5/15 (USA)
	230V60Hz = NEMA 6/15 (USA)
	220V50Hz = CEE 7/VII (EU)
Motor:	AC shaded pole
Duty cycle:	Continuous
Motor speed adjustment range 20:1	5% – 100% motor speed
Enclosure:	NEMA 3R (IP23) Valox
Maximum Overall Dimensions:	4.5" X 9.062" X 5.750" (11.4 W x 23 H x 14.6 D cm)
Product weight:	7lb. (3.18 Kg)
Approximate shipping wt:	35 lb. (3.63 Kg)
RoHS Compliant:	Yes
Standards:	NSF/ANSI 61, cETLus, CE

Output Specifications

AC powered models

Maximum Output at 0 PSI				Strokes/Min	Max PSI
GPD	GPH	LPH	OZ/MIN		
268	11.2	42.4	23.8	60	20
568	23.7	89.7	50.5	125	10
1,129	47.1	178.3	100.4	250	5

DC powered models

Maximum Output at 0 PSI				Strokes/Min	Max PSI
GPD	GPH	LPH	OZ/MIN		
189	7.8	29.5	16.8	60	20
398	16.5	32.4	35.3	125	10
791	32.9	124.5	70.3	250	5

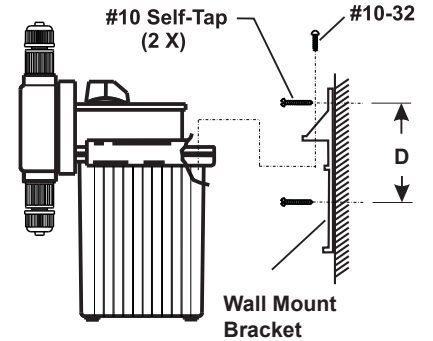
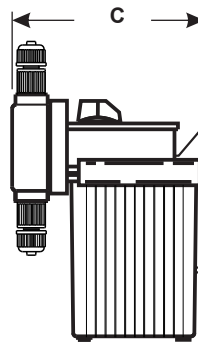
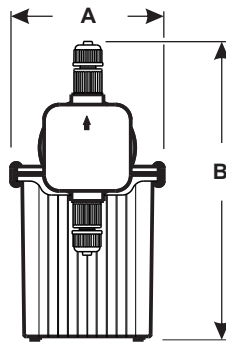
NOTE: For optimum diaphragm life, specify the pump to operate at the lowest possible RPM and pressure.

Wetted Components:

Pump Head:	PVDF	Suction Foot Valve	Body & Tubing Adapter : PVDF (optional PTFE)
	Cartridge Valve Body : PVDF		Tube Adapters : PVDF
	Tube Adapters : PVDF		Check Balls : Ceramic
Pump Head Inlet / Outlet Valves:	Check Balls : Ceramic		Ball Seat O-Ring : TFE/P (optional EP)
	Ball Seat O-Ring : TFE/P (optional EP)		Static Seal O-Ring : Viton® (optional EP)
	Static Seal O-Ring : Viton® (optional EP)		Body & Insert : Polypropylene (optional PVDF, PTFE)
Suction Tubing:	Clear PVC	Injection / Check Valve:	Check Ball : Ceramic (optional PTFE poppet)
Flow Indicator:	Clear PVC Body, Glass Ball (Carwash models use 316 SS ball)		Spring : Hastelloy C-276
Discharge Tubing:	Natural Polyethylene (LLDPE)		Ball Seat O-Ring : TFE/P (optional EP)
	Body & Tubing Adapter : PVC		Static Seal O-Ring : Viton® (optional EP)
Suction Strainer:	Strainer : Polypropylene		

Dimensions

Dim	Inch	cm
A	4.50"	11.43
B	9.06"	23.01
C	5.75"	14.61
D	2.30"	5.84

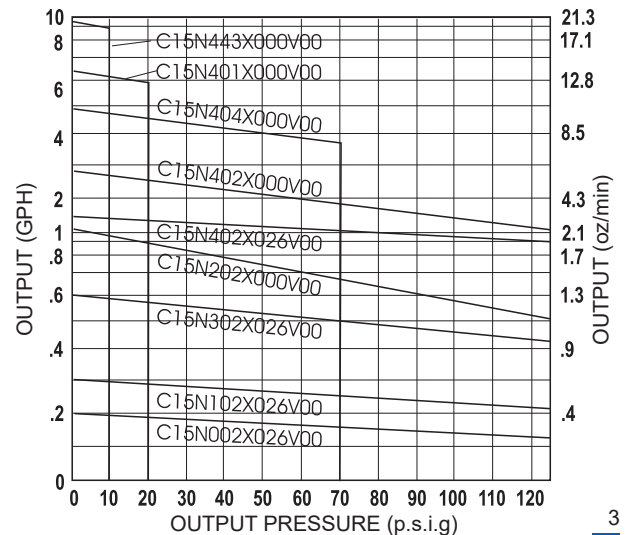


Performance

CHEM-FEED® C-1500N Diaphragm Pump

NOTE: All tests performed after approximately 30 minutes tube break-in period.

Maximum output vs. Pressure



Model Number Matrix

C-1500N

C15N					0							Sample Model Number
------	--	--	--	--	---	--	--	--	--	--	--	---------------------

Maximum Motor RPM
0 = 14 RPM
1 = 30 RPM
2 = 45 RPM
3 = 60 RPM
4 = 125 RPM

Power Supply (motor protection)
0 = 115V60Hz(IP) 7 = 24V50Hz(none)*
1 = 220V50Hz (20% less output) (IP)
2 = 230V60Hz (IP)
3 = 24V60Hz (IP)
4 = 115V60Hz(TP)
5 = 220V50Hz(TP)
6 = 230V60Hz(TP)
8 = 240V50Hz(TP)
IP = Impedance protection, TP = Thermal protection *Intermittent duty only

Cam Stroke Length
1 = .125"
2 = .055"
3 = .187"
4 = .100"

Output Control & Electrical
X = Standard Equipment
A = Junction Box Replaces Power Cord
C = ON/OFF Switch and Junction Box
I = Analog Timer, 5 sec. Cycle - 100% duty
K = Analog Timer, 60 sec. Cycle - 100% duty
P = Power Cord and Junction Box
R = 230V Power Cord w/NEMA6/15 Plug
T = 230V Power Cord and ON/OFF Switch
Z = Proportional Feed System - JBox/Cord

Pump Head Material
0 = Injection molded PVDF

Footvalve
0 = C-340 (PVDF/Polypropylene)
1 = C-340 (PVDF/Polypropylene - bulkhead mount)
2 = C-340-6T (PTFE)

Injection Fitting
0 = A-014N (Polypropylene - 1/2 lb spring)
1 = C-395N (Polypropylene - 6 lb spring)
C = A-014-NK (PVDF - 1/2 lb spring)
D = C-395NK (PVDF - 6 lb spring)
7 = A-014PN (PP 1/2 lb short depth)
8 = C-395PN (PP 6 lb spring)
X = None

Elastomer Material
V = Viton
E = EP

Diaphragm Style
0 = Lg. PTFE/EP
1 = Lg. PTFE/Viton
6 = Sm. PTFE/EP
7 = Sm. PTFE/Viton

Pump Head Style
0 = Lg. Diaphragm
2 = Sm. Diaphragm
4 = Lg. Diaphragm Carwash
5 = Lg. Pressure Relief
6 = Sm. Diaphragm Carwash
7 = Lg. Diaphragm single ball cartridge

All the trademarks are the property of their respective owners.